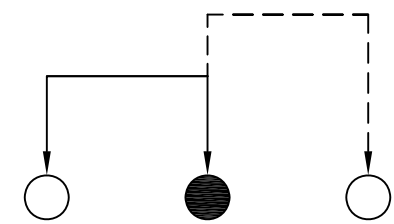
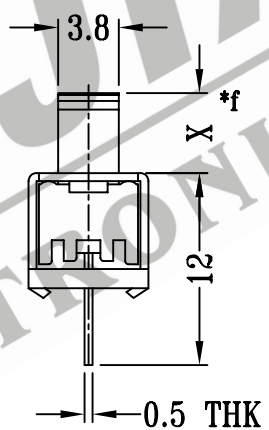
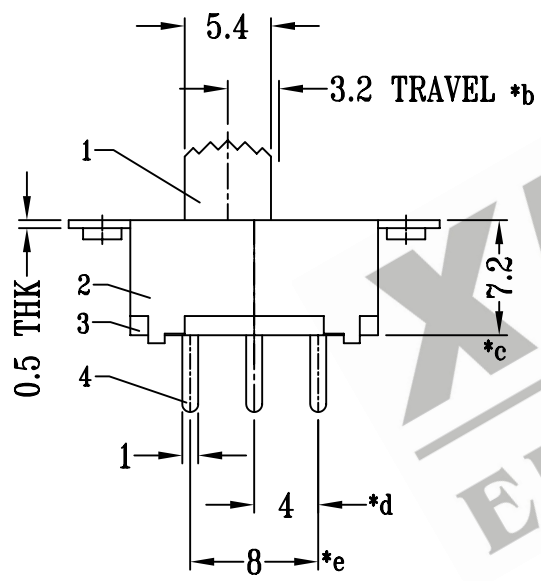
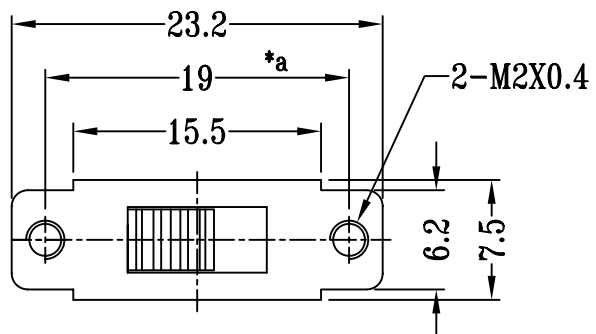
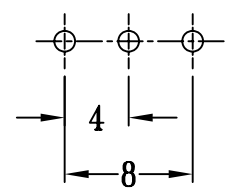


CAD FILE:



SCHEMATIC (NON-SHORTING)



P.C.B LAYOUT

注:带"\*"表示关键尺寸(6个)

				TOLERANCE UNLESS SPECIFIED		SHENZHEN XIEJIA ELECTRONICS CO.,LTD.						
				WITHIN: 1.5±0.1mm		ISSUE	DATE	DESCRIPTIONS OF REVISION		APPD.		
				OVER: 1.5±0.2mm		TITLE : VERTICAL SLIDE SWITCH				UNIT : mm	DRWG NO.: XJ-DR-SS12F26-00	
8												
7												
6	SPRING	STEEL WIRE	1	TEMPER								
5	CONTACT CLIP	BRASS STRIP	1	Ag PLATED								
4	TERMINAL	BRASS STRIP	3	Ag PLATED OVER Ni PLATED	MODEL: SS-12F26		SCALE: 2 : 1	DWN.	ZHOUYU	2004-6-30		
3	BASE	PHENOLIC RESIN	1	BLACK	ALL MATERIALS MUST BE COMPLIANT TO ROHS			CHK'D	FANGYING	2004-6-30		
2	FRAME	STEEL STRIP	1	BLACK				APPD.	KANGXINAN	2004-6-30		
1	KNOB	POM	1	BLACK								
NO.	PARTS	MATERIALS	Q'TY	FINISH					APPD.	KANGXINAN	2004-6-30	